

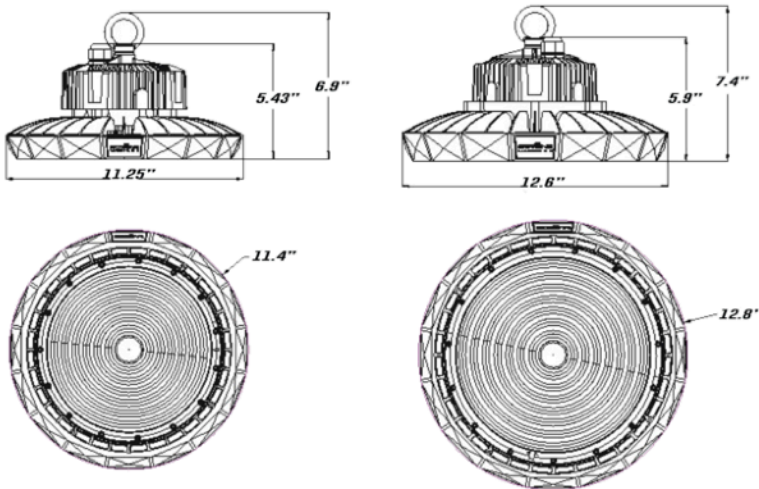
# HIGH LUMEN OUTPUT UFO HIGH BAY

IDEAL FOR WAREHOUSES, MANUFACTURING PLANTS, GYMNASIUMS, AND COMMERCIAL INDUSTRIAL SPECIFICALLY DESIGNED FOR HIGH CEILING APPLICATIONS.

UFO High Lumen Output High Bay luminaires are compact, and light-weight for easy installation with a slimline unobtrusive design while packing a high output lighting punch. The tough exterior design coupled with the IP65 rating makes this fixture suitable for extreme environments and high temperature applications.

Advanced aluminum heat sink which provides excellent thermal transfer to extend component life. Built rugged for outdoor and waterproof.

- Bridgelux Chips
- Moso Driver
- 0-10v Dimmable Product
- IP 65 Rated
- Beam Angle 90°
- Operating Temperature -30°C To 50°C
- Suitable For Damp Locations
- L70 Lumen Maintenance Of 100,000 Hours
- 5 Year Limited Warranty / 50,000 Hours



## ORDERING GUIDE

Series	Series	Driver	Watt	CCT	Voltage
SL	UFO	A00 - Moso	110W 150W	4000K 5000K	H - 120-277V HV - 277-480V

SKU	WATTAGE	EFFICACY	LUMENS	VOLTAGE	THD	CRI	PF	CARTON
SL-UFOA00-110Y	110W	170 LM/W	17991	120-277V	<15%	70	>0.95	13" x 13" x 8" 7.5 lbs 1 Piece Per Box
SL-UFOA00-150Y	150W	170 LM/W	26317	120-277V	<15%	70	>0.95	15" x 15" x 8" 10 lbs 1 Piece Per Box